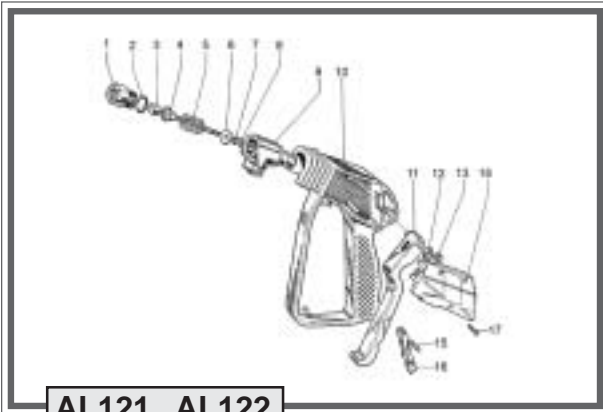


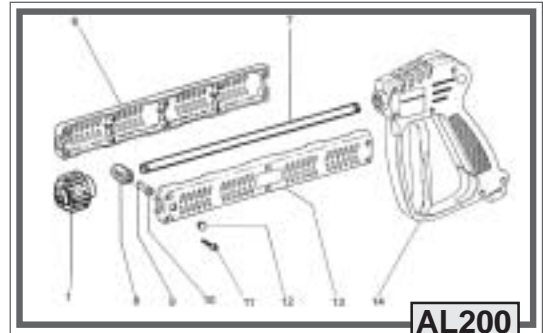
## Trigger Gun



**AL121, AL122**

POS	CODE	QTY	DESCRIPTION
1	002-150003	1	Seat holder nipple
2	100-060100	1	O-ring 2062 70SH
3	002-460300	1	Seat
4	002-650411	1	Preassy head
5	002-100001	1	Spring
6	002-150100	1	ø 4 x 13 x 1 flat washer
7	002-060103	1	O-ring AD 36 70SH
8	001-000100	1	Back-up ring
	002-020033	1	1/4 MAL. GAS body
	002-020002	1	3/8 FEM. GAS body
	002-020001	1	1/4 FEM. GAS body
10	006-160115	1	Gun body
11	002-090004	1	Trigger
12	002-150200	1	ø 4 x 12 x 1 flat washer
13	002-030100	1	M4 self locking nut
14	006-020101	1	Cover
15	002-160304	1	ø 3 x 16 mm pin
16	002-090018	1	Locking lever
17	002-190000	3	ø 2,9 x 16 screw
	<b>002-650001</b>	<b>7</b>	<b>Repair kit</b>

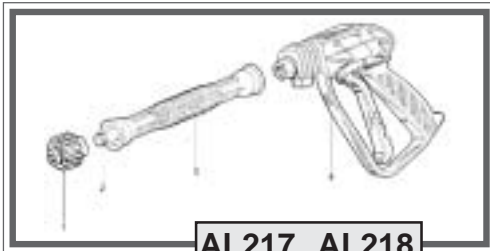
## 14" Covered Air Flow Handle



**AL200**

POS	CODE	QTY	DESCRIPTION
1	AL450	1	Fix quick coupling (F.Q.C.)
6	004-160130	1	SC5 body frame
7	004-471118	1	380 mm (14,7") zinc. pipe
8	004-080014	1	Brass frame
9	004-150109	1	ø 8,3 x 1,5 washer
10	004-060302	1	Screw
11	004-190003	6	ø 3,5 x 18 cross head screw
12	004-130105	1	Protector
13	004-160129	1	SC5 body frame
14	AL112	1	3/8 FEM. GAS AL5 trigger gun

## Trigger Gun with SF9 Handle

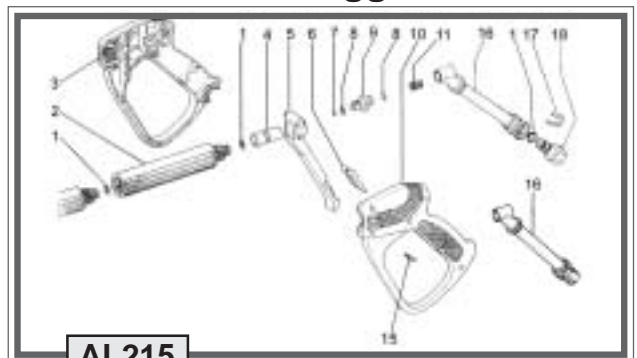


**AL217, AL218**

POS	CODE	QTY	DESCRIPTION
1	AL450	1	Fix quick coupling (F.Q.C.)
2	004-471141	1	260 mm (10,2") zinc. pipe
3	004-160105	1	SF9 cover protection
	AL122	1	3/8 FEM. GAS TKD trigger gun
	AL121	1	1/4 MAL. GAS TOP LINE trigger gun

POS	CODE	QTY	DESCRIPTION
1	012-060146	3	O-ring
2	004-160151	2	SF15 extension
3	012-161108	1	Gun body (right)
4	012-020501	1	Front connection body
5	012-090013	1	Trigger
6	012-090014	1	Trigger lock
7	014-060151	1	O-ring 2,9 x 1,78 90SH
8	012-060153	2	O-ring 7,66 x 1,78 90SH
9	012-120008	1	Shutter
10	012-161109	1	Gun body (left)
11	012-100023	1	Shutter spring
15	004-190003	6	ø 3,5 x 18 screw
16	014-020802	1	Gun inlet pipe connection
16	014-020801	1	M22 gun inlet pipe connection
17	014-050202	1	Clamp
	014-080028	1	1/4 MAL. GAS insert
	014-080029	1	1/4 FEM. GAS insert
	014-080030	1	3/8 FEM. NPT Insert

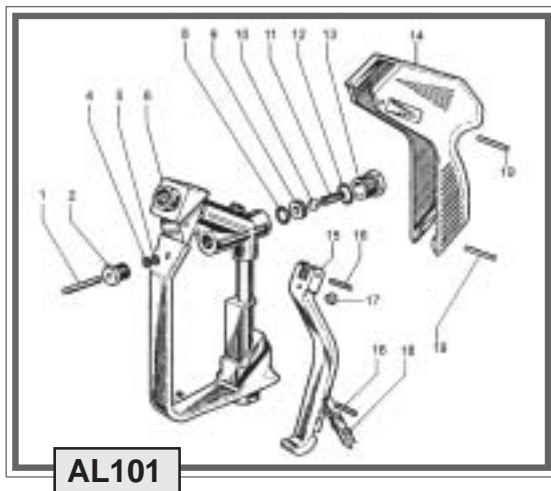
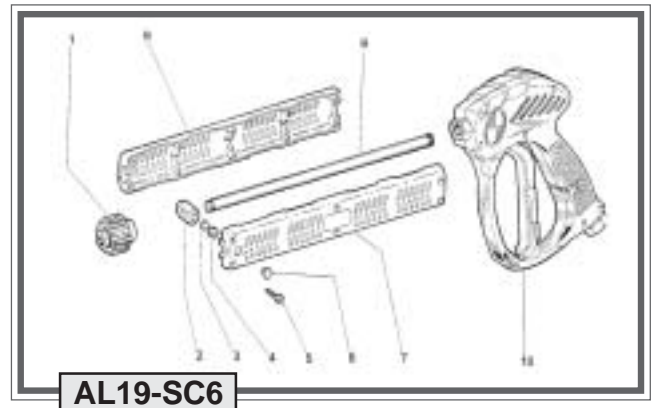
## "AL215" Trigger Gun



**AL215**

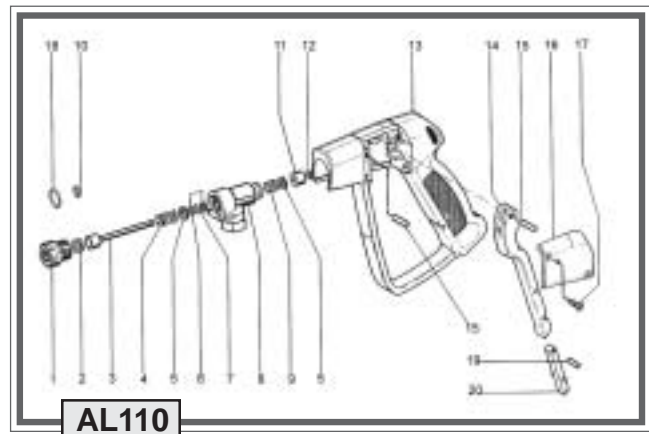
## Trigger Guns

POS	CODE	QTY	DESCRIPTION
1	AL450	1	Fix quick coupling (F.Q.C.)
2	004-080014	1	Brass locking frame
3	004-150109	1	ø 8,3 x 1,5 washer
4	004-060302	1	Locking screw
5	004-190003	6	ø 3,5 x 18 screw
6	004-130105	1	Plastic plug
7	004-160183	1	SC6 ext body (rx)
8	004-160179	1	SC6 ext body (lx)
9	016-471136	1	320 mm (12,6") zinc pipe
	016-471332	1	320 mm (12,6") S.S. pipe
10	AL19	1	3/8 FEM. GAS AL19 trigger gun

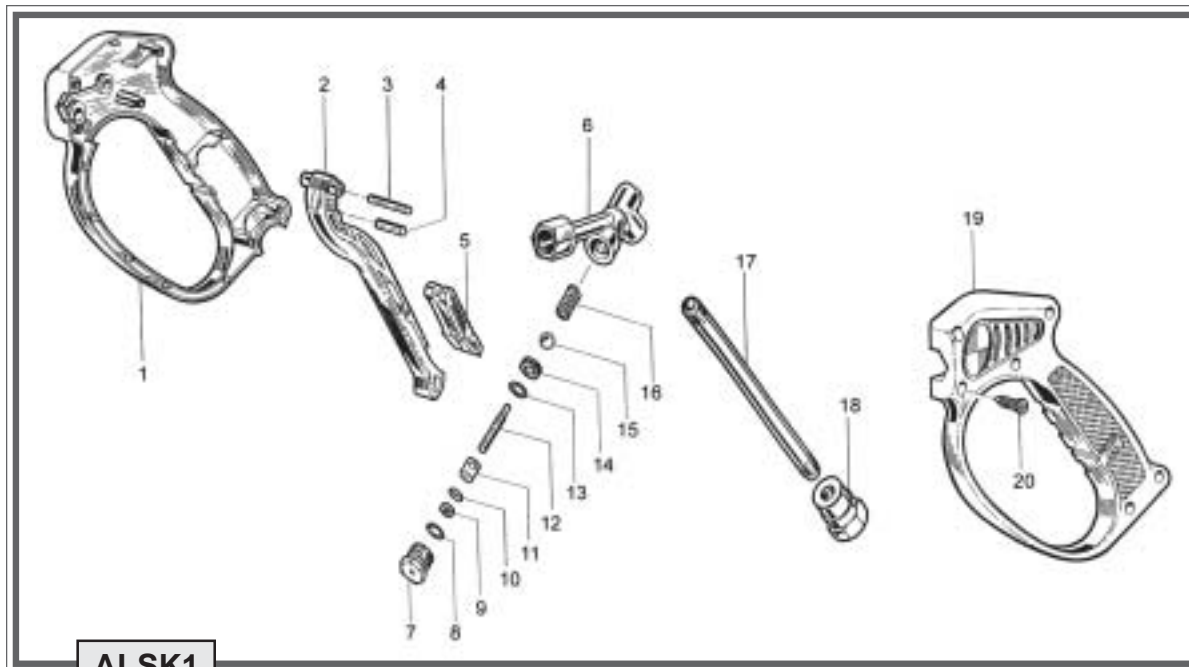


POS	CODE	QTY	DESCRIPTION
1	001-130000	1	Ballpresser pin
2	001-170001	1	Pin guide plug
4	001-000100	1	Back-up ring
5	001-060102	1	O-ring 0175 viton
6	001-520010	1	3/8 FEM. GAS nylon fix gun body
8	001-060129	1	O-ring 2043 90SH
9	001-160207	1	ø 6 seat
10	001-160008	1	ø 11/32 ball
11	001-100000	1	Spring
12	001-060158	1	O-ring 12 x 2 70SH
13	001-170014	1	Spring plug
14	001-160100	1	Nylon mobile gun body
15	001-090000	1	Black trigger
16	001-160300	2	ø 3 x 20 mm pin
17	001-380701	1	Trigger insert
18	001-090005	1	Locking lever
19	001-160303	2	ø 3 x 29,2 mm pin
	<b>001-650002</b>	<b>7</b>	<b>Repair kit</b>

POS	CODE	QTY	DESCRIPTION
1	002-150003	1	Seat union
2	010-160206	1	ø 5 seat
3	010-650408	1	Preassembled head
4	010-100016	1	Pressure spring
5	010-150107	2	Washer
6	003-000105	2	Back-up ring
7	003-060120	1	O-ring 2012 viton
8	010-020031	1	3/8 FEM. GAS body
9	008-100012	1	Recovery spring
10	100-060106	1	O-ring 2031 70SH
11	010-130401	1	Piston guide
12	010-160605	1	Snap ring RS3
13	010-160120	1	Gun body
14	010-090010	1	Trigger
15	010-160305	2	ø 5 x 22 mm pin
16	010-020103	1	Cover
17	010-190003	2	ø 3,5 x 18 self threading screw
18	100-060100	1	O-ring 2062 70SH
19	002-160304	1	ø 3 x 16 mm pin
20	002-0900-18	1	Safety lever
	<b>010-650005</b>	<b>9</b>	<b>Repair kit</b>



## “SK1” Trigger Gun

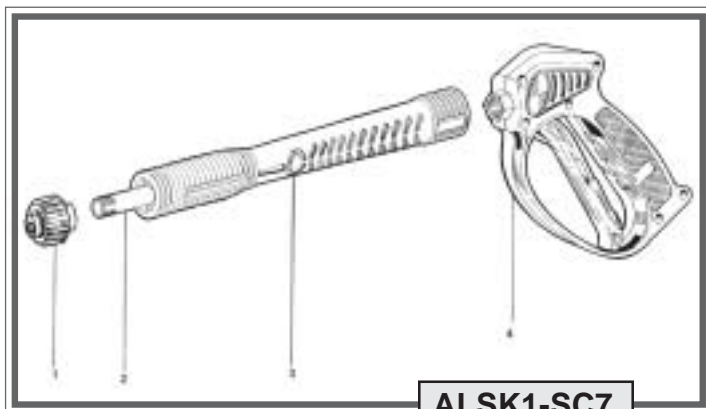


**ALSK1**

POS	CODE	QTY	DESCRIPTION
1	017-161110	1	Gun body (right)
2	017-090025	1	Trigger
3	001-160303	1	ø 3 x 29,2 mm pin
4	017-160311	1	ø 4 x 19 mm pin
5	012-090019	1	Trigger lock
6	017-020079	1	Body
7	017-170017	1	Plug
8	005-060130	1	O-ring 2043 viton
9	011-000117	1	Back-up ring
10	011-060143	1	O-ring V2 / 84 viton
11	017-010010	1	Brass plug
12	017-130012	1	Pin
13	004-060113	1	O-ring 2031 viton

POS	CODE	QTY	DESCRIPTION
14	017-160217	1	Seat
15	003-160003	1	ø 9/32 ball
16	017-100033	1	Spring ball
17	015-471345	1	125 mm (5,1") S.S. pipe
	015-150074	1	3/8 FEM. GAS inlet
	015-150075	1	3/8 FEM. NPT inlet
	015-150076	1	1/4 MAL. GAS inlet
	015-150079	1	3/8 MAL. GAS inlet
	015-150083	1	M22 x 1,5 inlet
19	017-161111	1	Gun body (left)
20	004-190003	6	ø 3,5 x 18 screw
	<b>017-650020</b>	<b>8</b>	<b>Repair kit</b>

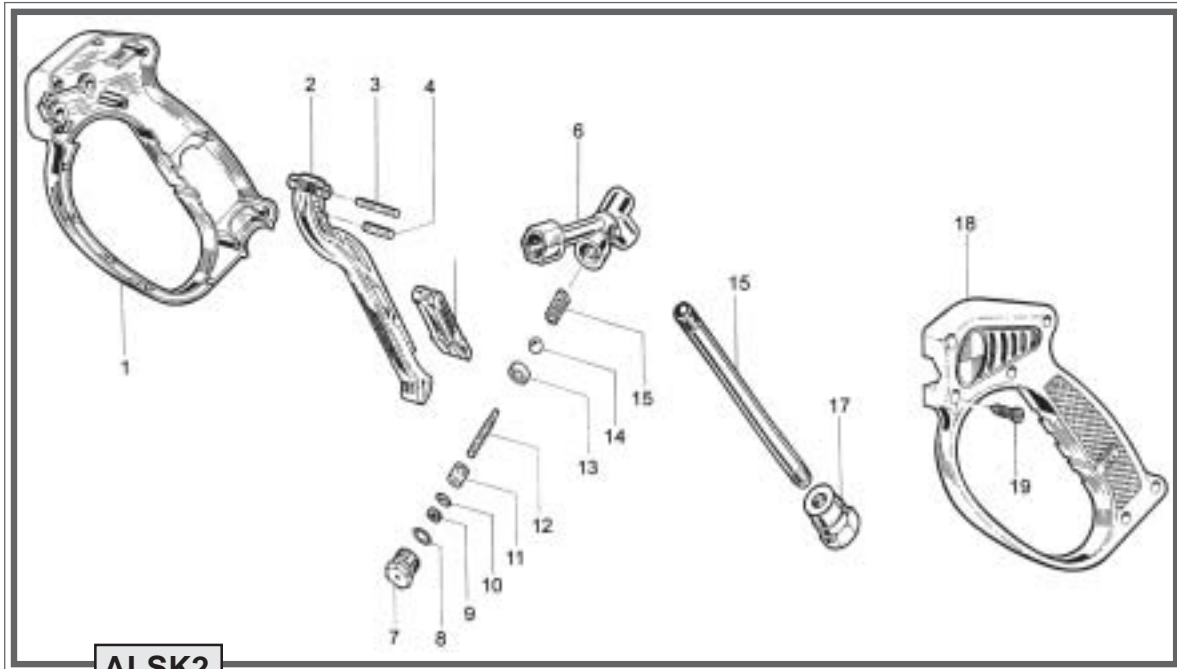
## “SK1” Trigger Gun with SC7 Handle



**ALSK1-SC7**

POS	CODE	QTY	DESCRIPTION
1	AL450	1	Fix quick coupling (F.Q.C.)
2	017-471346	1	364 mm (14,3") S.S. pipe
	011-471132	1	364 mm (14,3") zinc. pipe
3	017-160168	1	SC7 ext body
4	ALSK1	1	3/8 FEM. GAS SK1 trigger gun

## “SK2” Trigger Gun

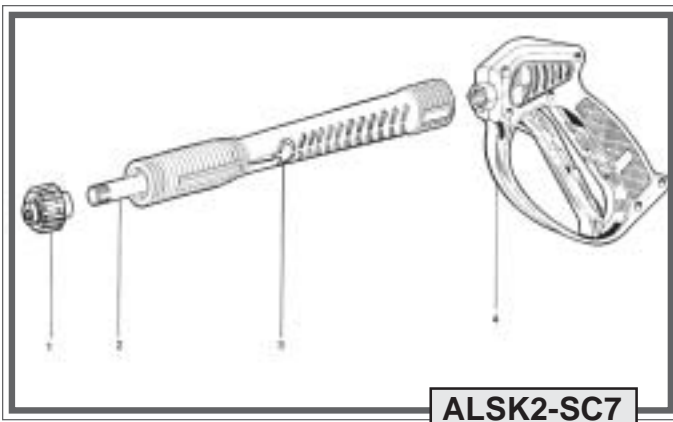


**ALSK2**

POS	CODE	QTY	DESCRIPTION
1	017-161110	1	Gun body (right)
2	017-090025	1	Trigger
3	001-160303	1	∅ 3 x 29,2 mm pin
4	017-160311	1	∅ 4 x 19 mm pin
5	017-090028	1	Trigger lock
6	017-020079	1	Body
7	017-170017	1	Plug
8	005-060130	1	O-ring 2043 viton
9	011-000117	1	Back-up ring
10	011-060143	1	O-ring V2 / 84 viton
11	017-010010	1	Brass plug
12	017-130012	1	Pin

POS	CODE	QTY	DESCRIPTION
13	017-460302	1	Seat
14	003-160011	1	∅ 9/32 ball
15	017-100033	1	Spring ball
16	015-471345	1	125 mm (5,1") S.S. pipe
	015-150074	1	3/8 FEM. GAS inlet
	015-150075	1	3/8 FEM. NPT inlet
	015-150076	1	1/4 MAL. GAS inlet
	015-150079	1	3/8 MAL. GAS inlet
	015-150083	1	M22 x 1,5 inlet
18	017-161112	1	Gun body (left)
19	004-190003	6	∅ 3,5 x 18 screw
	<b>017-650021</b>	<b>7</b>	<b>Repair kit</b>

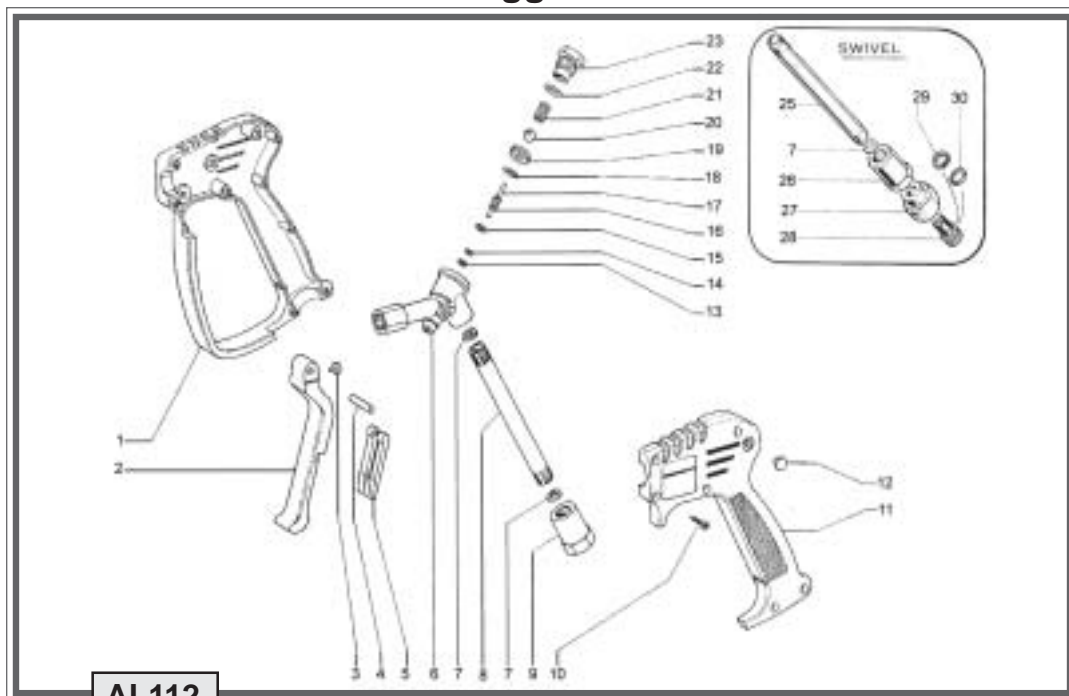
## “SK2” Trigger Gun with SC7 Handle



**ALSK2-SC7**

POS	CODE	QTY	DESCRIPTION
1	AL450	1	Fix quick coupling (F.Q.C.)
2	017-471346	1	364 mm (14,3") S.S. pipe
	011-471132	1	364 mm (14,3") zinc. pipe
3	017-160168	1	SC7 ext body
4	ALSK2	1	3/8 FEM. GAS SK2 trigger gun

## Trigger Gun

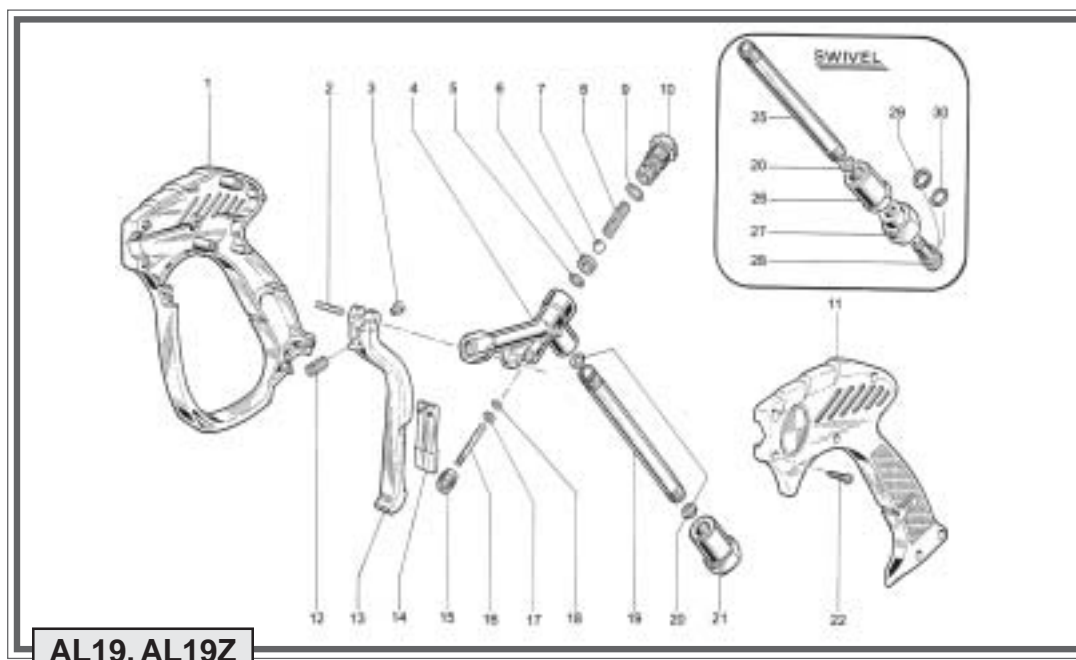


**AL112**

POS	CODE	QTY	DESCRIPTION
1	011-160137	1	Lower gun body frame
2	011-090012	1	Trigger
3	011-380700	1	Trigger insert
4	011-160306	1	ø 5 x 25,5 mm pin
5	011-090011	1	Locking lever
6	011-020037	1	1/4 FEM. GAS body
7	005-060201	2	ø 11 x 6,5 x 1 washer
8	001-471139	1	128,5 mm (5") zinc. pipe
9	011-150052	1	3/8 FEM GAS nipple
	011-150056	1	3/8 MAL. GAS nipple
	011-150057	1	3/8 FEM. NPT nipple
	011-150058	1	3/8 MAL. NPT nipple
10	004-190003	6	ø 3,5 x 18 screw
11	011-160136	1	Upper gun body frame
12	004-130105	1	Protector
13	011-000117	1	Back ring
14	011-060143	1	O-ring V2/84 viton

POS	CODE	QTY	DESCRIPTION
15	011-150112	1	Washer
16	011-100017	1	Spring
17	011-130008	1	Pin
18	001-060129	1	O-ring 2043 90SH
19	001-160207	1	ø 6 seat
20	001-160008	1	ø 11/32 ball
21	005-100021	1	Pressure spring
22	001-060158	1	O-ring 12 x 2 70SH
23	011-170015	1	Spring plug
25	011-471140	1	120,5 mm (4,8") zinc. pipe
26	011-150064	1	Fix brass coupling
27	011-150065	1	3/8 FEM. GAS insert spinning
27	011-150066	1	3/8 FEM. NPT insert spinning
28	011-190400	1	Holding screw
29	001-000104	1	Back-up ring
30	101-060123	1	O-ring 9,3 x 2,4 viton
	<b>011-650006</b>	<b>9</b>	<b>Repair kit</b>

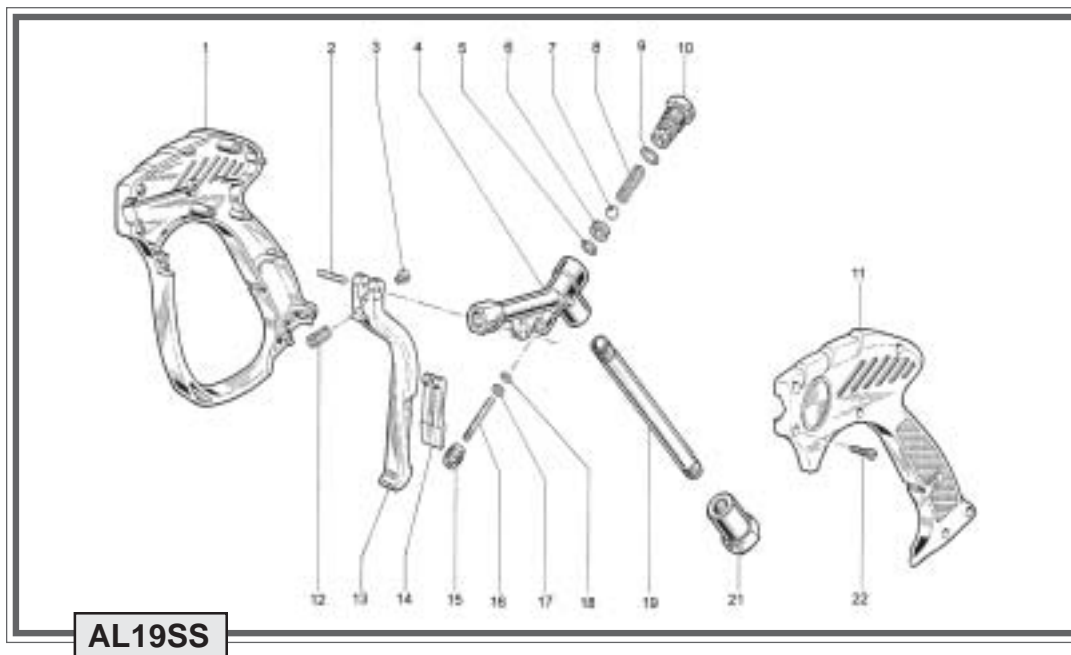
## “AL19” Trigger Gun



POS	CODE	QTY	DESCRIPTION
<b>1</b>	016-161106	1	Gun body (right)
	016-161113	1	Zytel gun body (right)
2	001-160300	1	ø 3 x 20 mm pin
3	011-380700	1	Trigger insert
4	016-020070	1	Brass body
5	106-060135	1	O-ring 108 viton
6	016-160214	1	Seat
7	010-160005	1	ø 5/16 ball
8	016-100029	1	Spring
9	104-060128	1	O-ring 2037 viton
10	016-170011	1	Spring brass plug
<b>11</b>	016-161107	1	Gun body (left)
	016-161114	1	Zytel gun body (left)
12	016-100030	1	Spring
13	016-090022	1	Trigger
14	011-090023	1	Trigger lock
15	016-170012	1	Pin guide plug
16	016-130010	1	Pressing pin

POS	CODE	QTY	DESCRIPTION
17	011-000117	1	Back-up ring
18	011-060143	1	O-ring V2/84 viton
19	016-471145	1	134 mm (5,3") zinc. pipe
20	005-060201	2	ø 11 x 6,5 x 1,5 copper washer
<b>21</b>	011-150056	1	3/8 MAL. GAS brass inlet
	011-150058	1	3/8 MAL. NPT brass inlet
	011-150052	1	3/8 FEM. GAS brass inlet
	011-150057	1	3/8 FEM. NPT brass inlet
22	004-190003	6	ø 3,5 x 18 screw
25	016-471146	1	126 mm (5") zinc. pipe
26	011-150064	1	Fix brass coupling
<b>27</b>	011-150065	1	3/8 FEM. GAS inlet spinning
	011-150066	1	3/8 FEM. NPT inle spinning
28	011-190400	1	Holding screw
29	001-000104	1	Back-up ring
30	101-060123	1	O-ring 9,3 x 2,4 viton
	<b>016-650016</b>	<b>7</b>	<b>Repair Kit</b>

## “AL19SS” Trigger Gun

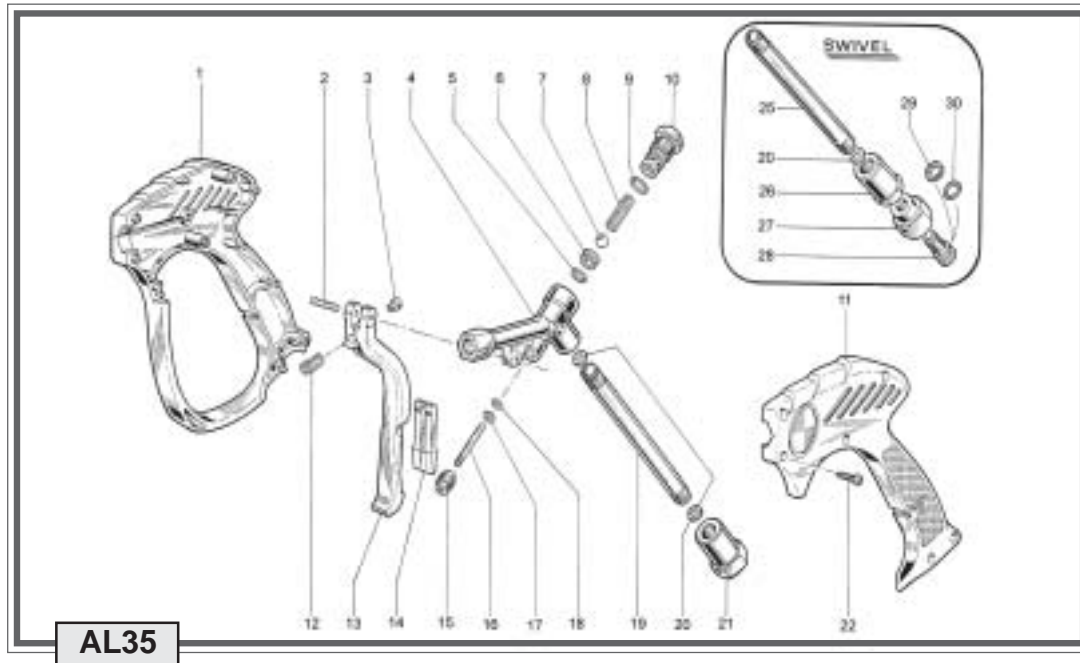


**AL19SS**

POS	CODE	QTY	DESCRIPTION
1	016-161113	1	Zytel gun body (right)
2	001-160300	1	ø 3 x 20 mm pin
3	011-380700	1	Trigger insert
4	016-300601	1	S.S. body
5	106-060135	1	O-ring 108 viton
6	016-160214	1	Seat
7	010-160005	1	ø 5/16 ball
8	016-100029	1	Spring
9	104-060128	1	O-ring 2037 viton
10	016-170025	1	S.S. spring plug
11	016-161114	1	Zytel gun body (left)
12	016-100030	1	Spring

POS	CODE	QTY	DESCRIPTION
13	016-090022	1	Trigger
14	011-090026	1	Zytel trigger lock
15	016-170024	1	S.S. pin guide plug
16	016-130010	1	Pressing pin
17	011-000117	1	Back-up ring
18	011-060143	1	O-ring V2/84 viton
19	016-471357	1	137 mm (5,4") S.S. pipe
<b>21</b>	011-150098	1	3/8 MAL. GAS S.S. inlet
	011-150099	1	3/8 MAL. NPT S.S. inlet
	011-1500100	1	3/8 FEM. GAS S.S. inlet
	011-1500101	1	3/8 FEM. NPT S.S. inlet
22	004-190003	6	ø 3,5 x 18 screw
<b>016-650016</b>		<b>7</b>	<b>Repair Kit</b>

## “AL35” Trigger Gun



**AL35**

POS	CODE	QTY	DESCRIPTION
1	016-161127	1	Zytel yellow gun body (right)
2	001-160300	1	ø 3 x 20 mm pin
3	011-380700	1	Trigger insert
4	016-020070	1	Brass body
5	106-060135	1	O-ring 108 viton
6	016-160214	1	Seat
7	010-160005	1	ø 5/16 ball
8	016-100029	1	Spring
9	104-060128	1	O-ring 2037 viton
10	016-170011	1	Spring brass plug
11	016-161114	1	Gun body (left)
12	016-100030	1	Spring
13	016-090022	1	Trigger
14	011-090023	1	Trigger lock
15	016-170012	1	Pin guide plug
16	016-130010	1	Pressing pin
17	011-000117	1	Back-up ring

POS	CODE	QTY	DESCRIPTION
18	011-060143	1	O-ring V2/84 viton
19	016-471342	1	134 mm (5,3") S.S. pipe
20	005-060201	2	ø 11 x 6,5 x 1,5 copper washer
21	011-150056	1	3/8 MAL. GAS brass inlet
21	011-150058	1	3/8 MAL. NPT brass inlet
21	011-150052	1	3/8 FEM. GAS brass inlet
21	011-150057	1	3/8 FEM. NPT brass inlet
22	004-190003	6	ø 3,5 x 18 screw
25	016-471343	1	126 mm (5") S.S. pipe
26	011-150064	1	Fix brass coupling
27	011-150065	1	3/8 FEM. GAS inlet spinning
27	011-150066	1	3/8 FEM. NPT inle spinning
28	011-190400	1	Holding screw
29	001-000104	1	Back-up ring
30	101-060123	1	O-ring 9,3 x 2,4 viton
	<b>016-650016</b>	<b>7</b>	<b>Repair Kit</b>